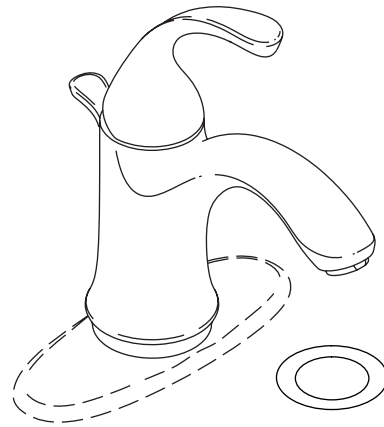


**Features**

- Brass construction
- One-piece, self-contained ceramic disc valve allows both volume and temperature control
- Temperature memory allows faucet to be turned on and off at any temperature setting
- High-temperature limit setting for added safety
- Pop-up drain with lift rod and tailpiece
- Flexible connections for easy installation
- 5-1/8" (13 cm) spout reach
- Stationary spout
- Single-hole mounting
- Includes a 6-1/2" (15.2 cm) escutcheon plate for three-hole lavatories
- ADA compliant sculpted lever handle
- 1.5 gallon (5.7 liters) per minute maximum flow rate

**SINGLE-CONTROL LAVATORY FAUCET  
K-10215  
ALSO K-10216**



**Codes/Standards Applicable**

Specified model meets or exceeds the following at date of manufacture:

- ADA
- ASME A112.18.1/CSA B125.1
- ICC/ANSI A117.1
- NSF 61
- Energy Policy Act of 1992
- EPA WaterSense®
- All applicable US Federal and State material regulations

**Colors/Finishes**

- CP: Polished Chrome
- Other: Refer to Price Book for additional colors/finishes

**Specified Model**

Model	Description	Colors/Finishes
K-10215-4	Single-control lavatory faucet – metal pop-up drain	<input type="checkbox"/> CP <input type="checkbox"/> Other _____
K-10216-4	Single-control lavatory faucet – plastic pop-up drain	<input type="checkbox"/> CP <input type="checkbox"/> Other _____

<b>Optional Accessories</b>
Additional flow options are available (refer to the Kohler Price Book)

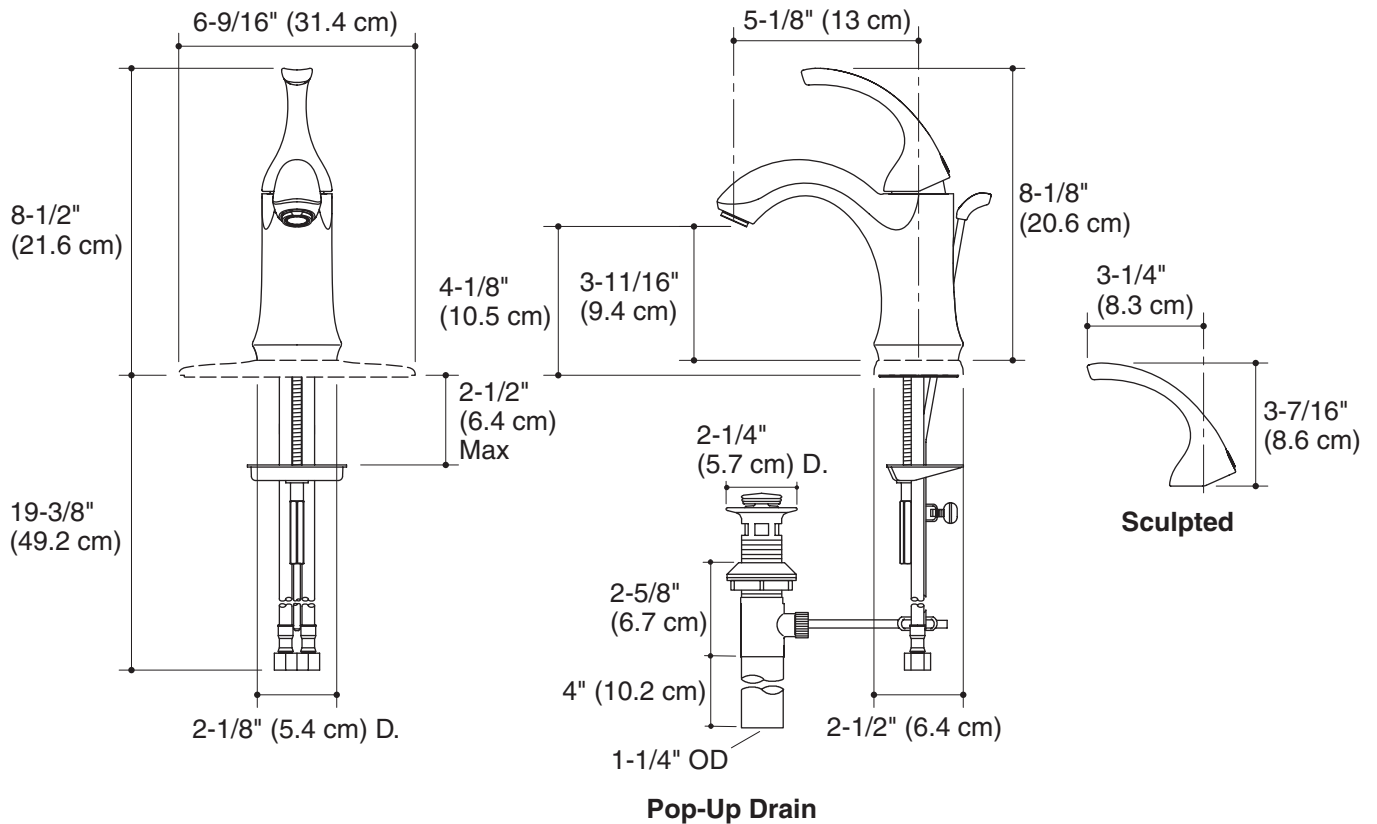
**Product Specification**

The single-control lavatory faucet shall be of brass construction. Product shall have a maximum flow rate of 1.5 gallons (5.7 liters) per minute. Product shall feature a one-piece, self-contained ceramic disc valve, which allows for both volume and temperature control. Product shall feature temperature memory, allowing the faucet to be turned on and off at any temperature setting. Product shall feature a high-temperature limit stop for added safety. Product shall feature a 5-1/8" (13 cm) spout reach, stationary spout, flexible connections for easy installation, ADA compliant sculpted lever handle, and a pop-up drain with lift rod and tailpiece. Product shall be for single-hole mounting. Product shall include a 6-1/2" (15.2 cm) escutcheon plate for three-hole lavatories. Lavatory faucet shall be Kohler Model K-\_\_\_\_-4-\_\_\_\_.

# FORTE®

## Installation Notes

Install this product according to the installation guide.



## Product Diagram