

Your Source For:

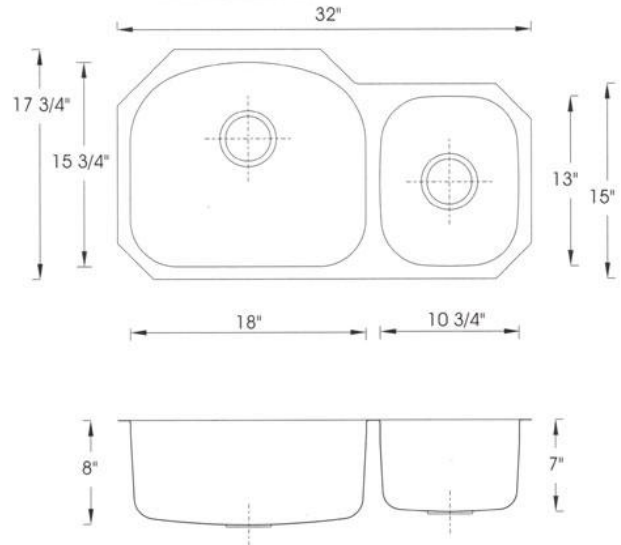
GENUINE STONE 

- Caesarstone®
- Difiniti™
- Dupont Zodiaq®
- Hanstone™
- Rinato
- Radianz™
- Silestone



Magnum 501L Series

Undercounter Double Bowl (Large Bowl on Left)



Description

Overall Size: 32" x 17-3/4", 8"(L) 7"(R) Deep
810 mm x 450mm, 200mm (L), 178mm(R) Deep

Finish

Brushed Satin Finish

Installation

Undercounter installation
Supplied with cut-out template, fasteners

Sink Dimensions

Item No.	Overall Dimension	Each Bowl	Cutout Size	Gauge	Weight/Lbs
501	32" x 17-3/4" 810 mm x 450mm	18" x 15-3/4" 13" x 10-3/4"	See template	16 Gauge	11.5

X:\forms\magnum501Lseries_specs.docx

5760 Quam Avenue N.E. • St. Michael, MN 55376 • Phone: (763) 428-4075 • Fax: (763) 428-1795
www.paramountgranite.com • E-Mail: info@paramountgranite.com

