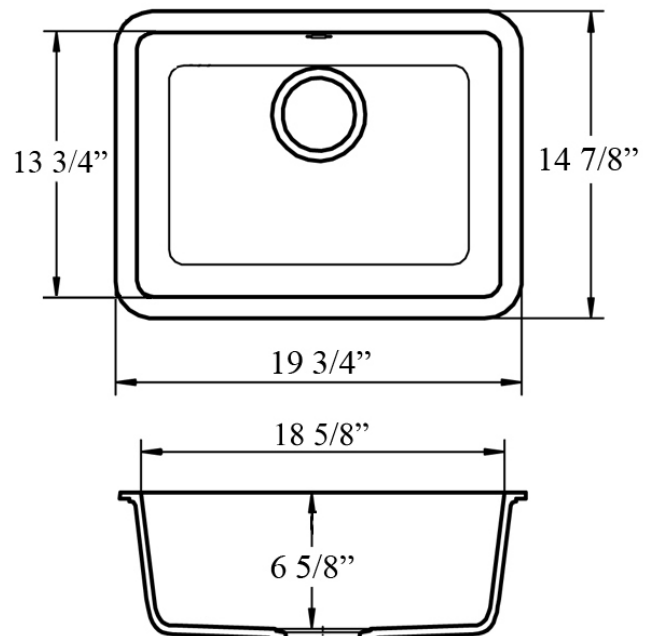


**Your Source For:**



## Magnum 818 Series Granite Composite Sink

*Undercounter Single Bowl Bar Sink*



### Description

Overall Size 19 3/4" x 14 7/8" x 6 5/8"

Heat Resistant to 550 Degrees

Silver Ions Added - Kills 99% of Bacteria on Contact

All Natural Materials - Environmentally Friendly and Recyclable

Acrylic Acts as Natural Sound Dampener; No Pads Needed

Extremely Scratch Resistant

Lifetime Warranty

Colors Available: Black, Brown, Beige and White

### Finish

Made with 80% Quartzite, 20% Acrylic  
Completely Stain Resistant Material - Unaffected by Household Acids or Cleaners

### Installation

Undercounter Installation.  
Undermount Granite Sink Clip Hardware Included  
Offset Drain 3 1/2" (114 mm) Drain Opening

Sink Strainer/Drain Assembly Sold Separately

X:\forms\magnum818series\_specs.doc

5760 Quam Avenue N.E. • St. Michael, MN 55376 • Phone: (763) 428-4075 • Fax: (763) 428-1795

www.paramountgranite.com • E-Mail: info@paramountgranite.com

